

# IRB 2400 Industrial Robot

IRB 2400 comprises a complete family of application optimized robots that maximize the efficiency of your arc welding, process and tending applications.



IRB 2400 is a dedicated high performance robot for process applications where the required accuracies are very demanding.

All models offer you inverted mounting capability. The compact design of the IRB 2400 ensures ease of installation. The robust construction and use of minimum parts contribute to high reliability and long intervals between maintenance.

The Foundry Plus version is washable with high pressure steam and it's supplied with increased environment protection meeting IP 67 standard.

#### Main applications

- Cutting/deburring
- Glueing/sealing
- Grinding/polishing

## Specification

Variants	Reach	Payload	Protection
IRB 2400-10	1.55 m	12 kg	FoundryPlus
IRB 2400-16	1.55 m	20 kg	FoundryPlus
Number of axes 6			
Mounting Floor and inverted all versions. Wall IRB 2400-10			
Supplementary load		IRB 2400-10	IRB 2400-16
Upper arm:			
Wrist end		2 kg	2 kg
Rear end		10 kg	10 kg
Base unit		35 kg	35 kg

## Physical

Dimensions	IRB 2400-10	IRB 2400-16
Total height	1564 mm	1564 mm
Robot base	723x600 mm	723x600 mm
Robot weight	380 kg	380 kg

## Performance (according to ISO 9283)

Position repeatability (RP)	0.03 mm
Path repeatability	0.06 mm

## Movements

Axis	IRB 2400-10	IRB 2400-16
Working range		
Axis 1	360°*	360°
Axis 2	210°	210°
Axis 3	125°	125°
Axis 4	400°	400°
Axis 4, Option	Unlimited	Unlimited
Axis 5	240°	240°
Axis 6	800°	800°
Axis 6, Option	Unlimited	Unlimited
Max. speed		
Axis 1	150°/s 90° **	150°/s
Axis 2	150°/s 90° **	150°/s
Axis 3	150°/s 90° **	150°/s
Axis 4	360°/s	360°/s
Axis 5	360°/s	360°/s
Axis 6	450°/s	450°/s

\*\*) For wall mounted version

\*) ± 30° for wall mounted robot

## Electrical Connections

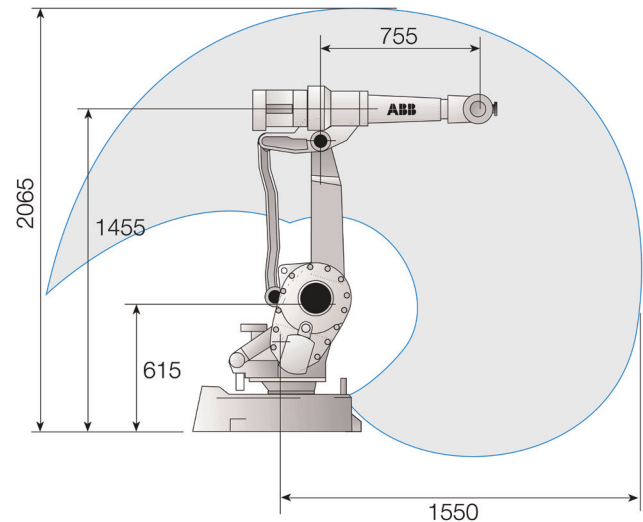
Supply voltage	200–600 V, 50/60 Hz
Power consumption	ISO-Cube at max speed 0.67 kW

## Environment

Ambient temperature for mechanical unit:		
During operation	+5°C (41°F) to + 45°C (113°F)	
Relative humidity	Max. 95%	
Degree of protection	IRB 2400-10	IP54
	IRB 2400-16	IP54
Foundry Plus	IP67	
Noise level	Max. 70 dB (A)	
Emission	EMC/EMI-shielded	

Data and dimensions may be changed without notice

IRB 2400-10, IRB 2400-16



© Copyright ABB Robotics. PR10034 EN\_R8 Feb 2016.

For more information please contact:

## ABB AB Robotics

Hydrovägen 10  
SE-721 36 Västerås, Sweden  
Phone: +46 21 325000

[www.abb.com/robotics](http://www.abb.com/robotics)

### Note

We reserve the right to make technical changes or modify the contents of this document without prior notice. With regard to purchase orders, the agreed particulars shall prevail. ABB does not accept any responsibility whatsoever for potential errors or possible lack of information in this document.

We reserve all rights in this document and in the subject matter and illustrations contained therein. Any reproduction, disclosure to third parties or utilization of its contents - in whole or in parts - is forbidden without prior written consent of ABB.

Copyright© 2016  
ABB All rights reserved